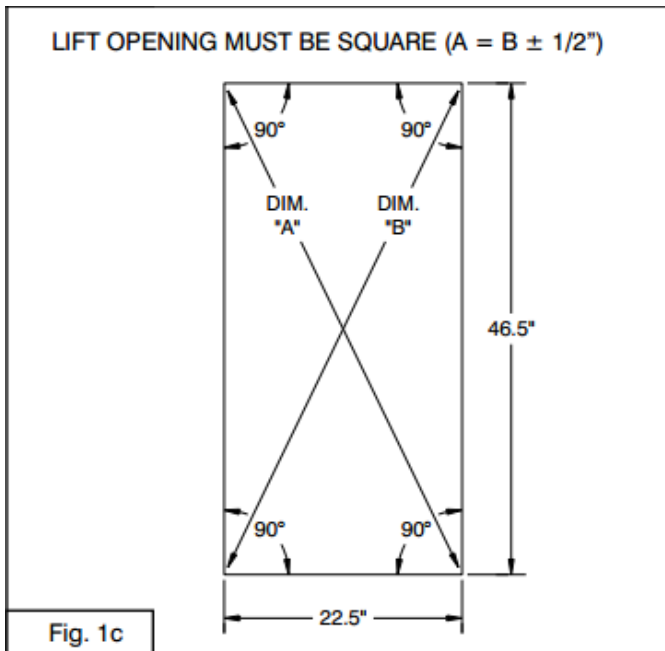


There are various measurements that people ask for when looking at our lifts. All of these measurements and more are found in our installation documents. Please print these off and read in detail BEFORE installing a versalift. Our clients RARELY have issues when they follow the Step by Step instructions in the manuals provided.

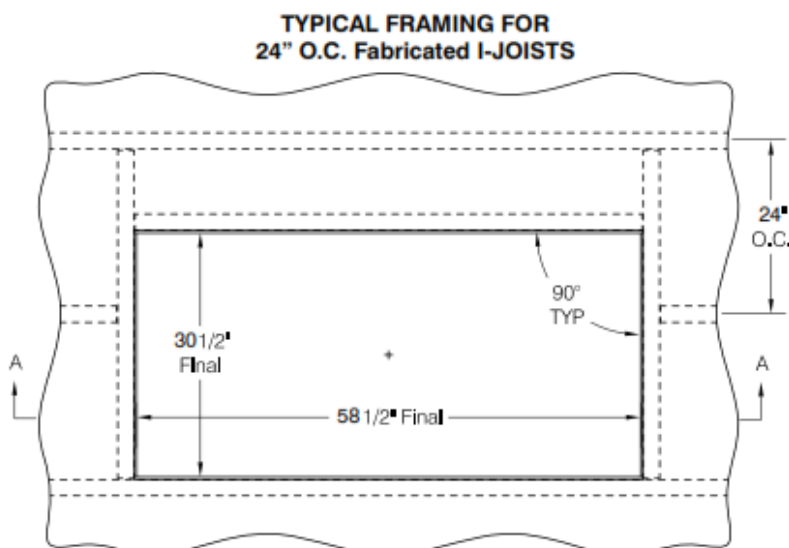
Here are the most common asked questions. If you have any questions, just call us direct at (405) 516 2412 or email: support@versaliftsystems.com

What size OPENING DO I NEED?

Model 24 ROUGH IN

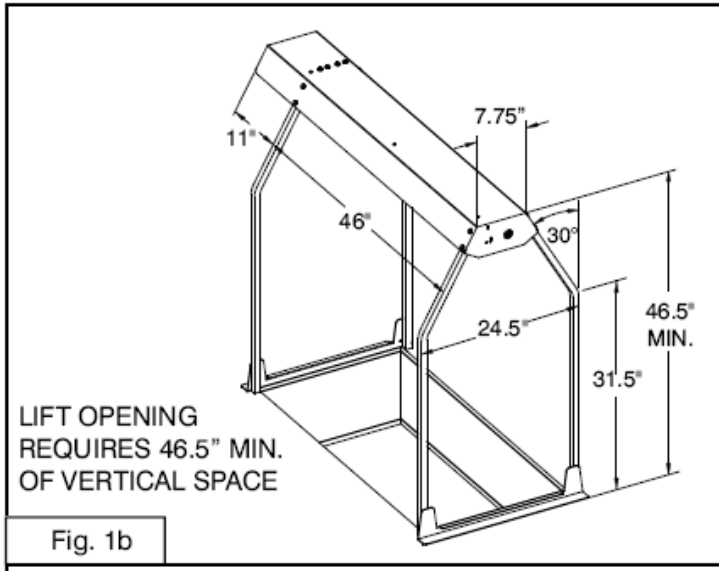


MODEL 32 ROUGH IN = 30 1/2" X 58 1/2"

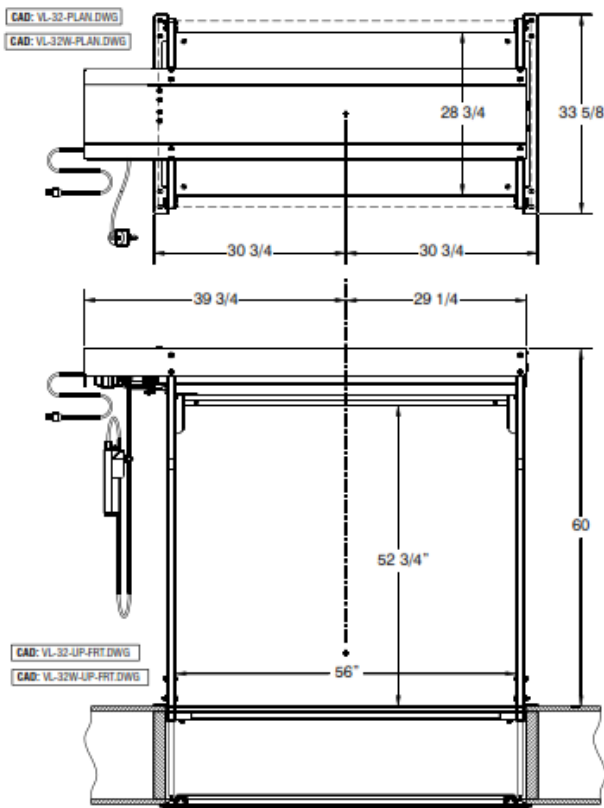


Note: For I-Joists, frame opening 31" x 59", then skin inside with 1/4" plywood to make the final opening size 30.5" x 58.5" with smooth side walls.

HERE ARE DIMENSIONS OF ACTUAL MODEL 24 UNIT

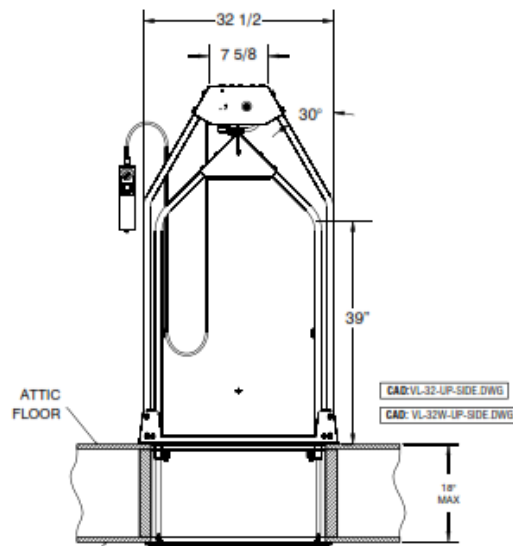


MODEL 32 UNIT DIMENSIONS



Voltage/Power: 115 vac, 60 hz, 4.5 amps
Opening Required: 30 1/2 x 58 1/2" (+ 1/2", -0")
Opening Finish: Smooth perpendicular sidewalls
Shipping Weight: 206 lbs.

Versa Lift illustrated in the raised (UP) position.



Q. WHAT IS ACTUAL SIZE OF CEILING COVER PLATE AND WHAT IS IT MADE OF?

A. The ceiling cover is made of 18 Gauge White Powder Coated Steel. 18 Ga. Steel generally has a 30 minute fire rating.

The size of the ceiling Cover for the MODEL 24 is 24" x 48" and yes, you can paint it to match.

The size of the ceiling cover for the MODEL 32 is 32" x 60"

Q. WHAT SIZE IS THE LIFT TUBING CONSTRUCTION?

A. 7/8" square powder coated tubing



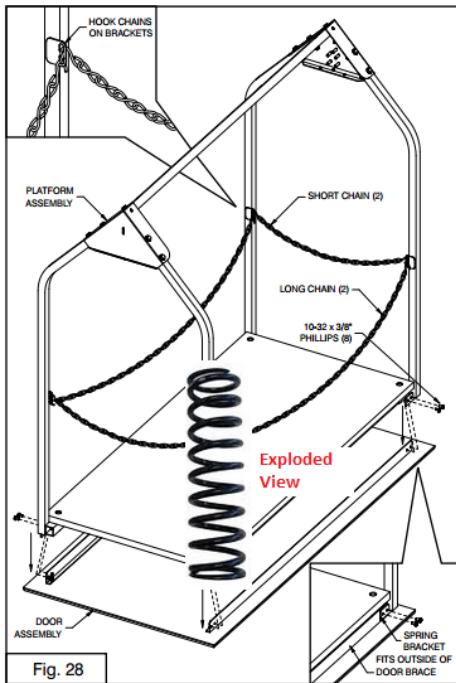
This Messinine install shows the ceiling Cover Underneath. (above)



PHOTO SHOWING INSTALLER PULLING DOWN ON SPRING LOADED CEILING COVER.

Q. HOW DOES THE LIFT GET LEVEL WITH MY ATTIC FLOOR???

A. There are Four Springs in each of the legs of the Basket that travels Into your attic. The Ceiling Panel closes on the garage ceiling Sheetrock, and the lift continues to travel up through the opening until it is Level with the Attic Floor, at which time it automatically shuts off. These springs will allow for 18" depth.

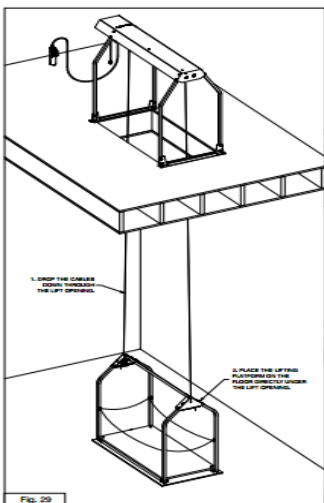


Q. Can you give me any details on the Lifting Cables for the Versalift?

A. The two cables have a lifting strength of 1,000 lbs. per cable. They are .093 Aircraft steel Cable 7 x 19 (which means 7 bundles of 19 woven filaments for 132 strands. Safe working rating is 350 lbs. We rate the Model 24 lift at 200 lbs. and the Model 32 at 250 lbs. for safety purposes.

Q. WHAT SIZE IS THE LIFT TUBING CONSTRUCTION?

A. 7/8" square powder coated tubing



The LIFT DECK is 20 ¾" x 44" Outside Dimensions and made of ¾" Plywood press board that is covered in Melamine construction material.

Melamine resin is the main constituent of high-pressure laminates, such as Formica and laminate flooring. Melamine is typically used as the binder / resin in hard-surface countertop materials, such as those used in lab desks.

This has proven to be a very durable platform for residential use, however, many businesses are starting to use the Versalift and you may find our Diamond Plate Treadplate cover to be a good investment to protect your new lift in a commercial setting.

Q. What happens if I mis-measured, and when the unit gets here the cables are not long enough?

A. You will need to ship back the entire control head unit in the original box that it came in. Call us first and get a RGA Number. The cables are installed at the factory, and it is specially designed stainless steel aircraft cable that has to be installed properly.

Just remember to measure from the FLOOR of the ATTIC to the FLOOR of the GARAGE when ordering proper length.

Q. I just installed the unit and it went down, but won't go up...

A. There is a plastic tie strap that holds the upper limit switch BALE in place during installation. Cut the plastic tie and remove it, and the lift should go up fine now.